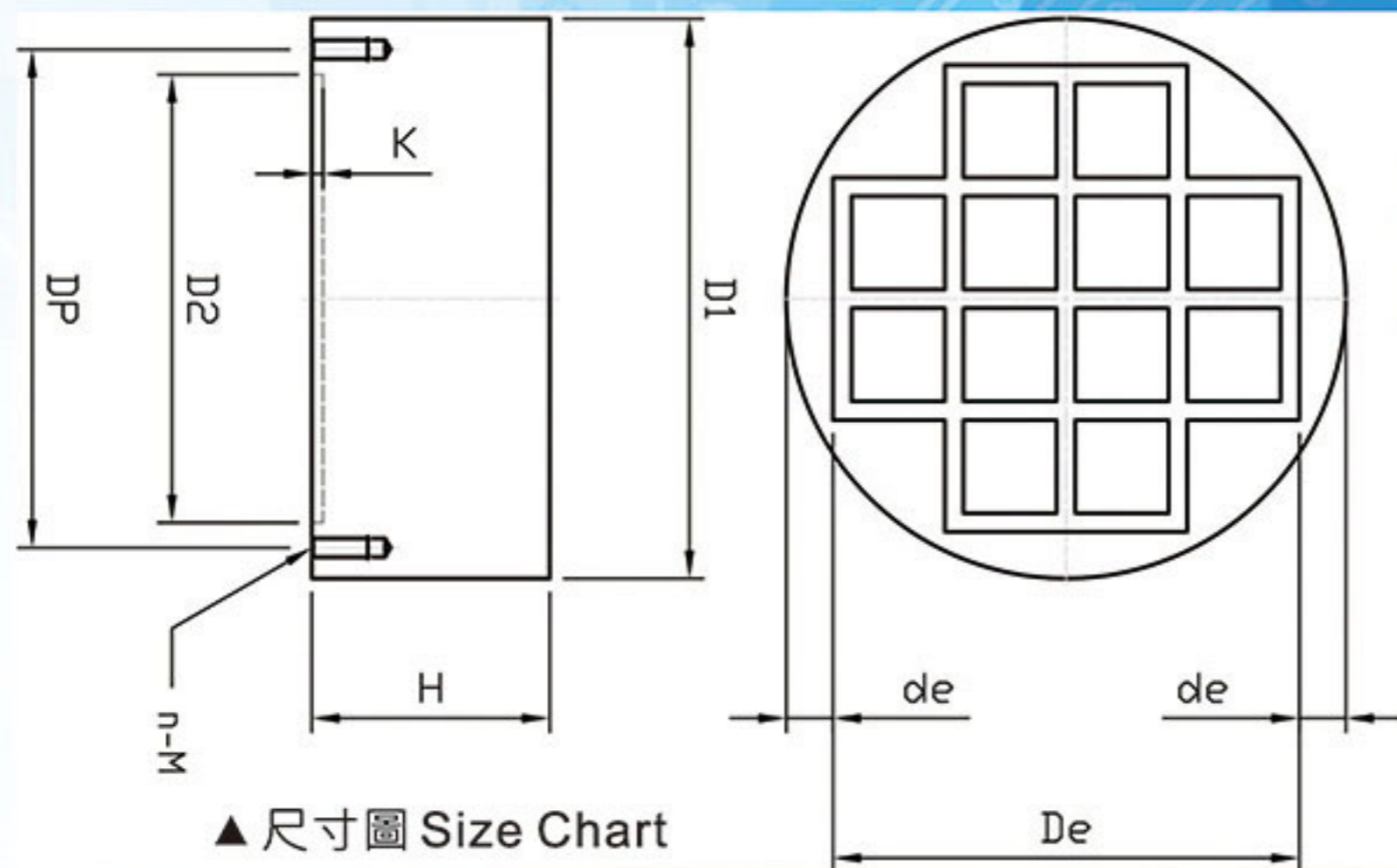


Circular Type trellis Pole Electro-Permanent Magnetic Chuck

KEPT-RF



用途

- 適用於旋轉式精密磨床，CNC五軸綜合切削加工機等結合使用。
- 工件厚度要求10mm 以上。
- 工件吸磁最佳位置需涵蓋4個以上磁極接觸面。
- 配合各式導磁軟爪及滑動性彈簧塊，使功能更多。

特性

- 磁力超強達1000kgf/100cm²。(4個磁極)
- 圓形永電式夾盤設計，3秒完成充退磁，充磁後無需持續供電，故可將電線拿掉，磁盤可自由旋轉無電線干擾。
- 工件夾持加工無障礙，可做5面加工，大幅度提升工作效率。

Application

- Suitable for rotary precision grinding machine, CNC cutting machine .
- Suitable for work piece thickness is more than 10mm
- The best position to attract the work piece is the place covering four pitch poles.
- Work with all kinds of clamp and sliding spring magnetic block, make more function for application.

Features

- Super holding power reach 1000kgf/100cm². (covering four pitch poles).
- Circular type electro-permanent magnetic chuck design, 3 sec. completing magnetization and demagnetization. Needn't any power supply after magnetization. Removable cable connector enable the chuck be used on the exchangeable and turning table.
- Suitable for 5-face machining centers. Highly improve working efficiency.

規格表 Specification Table

型式 Model	尺寸 Nominal dimension	面 板 Top Plate			磁極間格 pole pitch P	本 體 Bottom Plat					高度 Heigh H	電壓 Voltage	重量 Weight
		D1	De	de		D2	K	n	M	Dp			
KEPT-30RF	300	300	250	25	50	250	4	4	M10	280	85	DC220V	45Kg
KEPT-50RF	500	500	370	65	50	400	4	4	M10	450	85	DC220V	75Kg
KEPT-70RF	700	700	610	45	50	600	4	4	M12	610	85	DC220V	105Kg
KEPT-90RF	900	900	790	55	50	700	4	8	M16	800	85	DC220V	135Kg

※永電式夾盤的開關操作應當一次暫停數分鐘，若經常重複開關可能會導致過熱損壞

On/off operation of this EP chuck should be made once in several minutes pauses. If power on/off is repeated frequently, it can cause damage by overheat.

※鐘通工業股份有限公司保有隨技術發展而衍生修改的權利

KANETSU KOGYO CO., LTD. Reserve the right to bring up any modification connected with the technological development.

