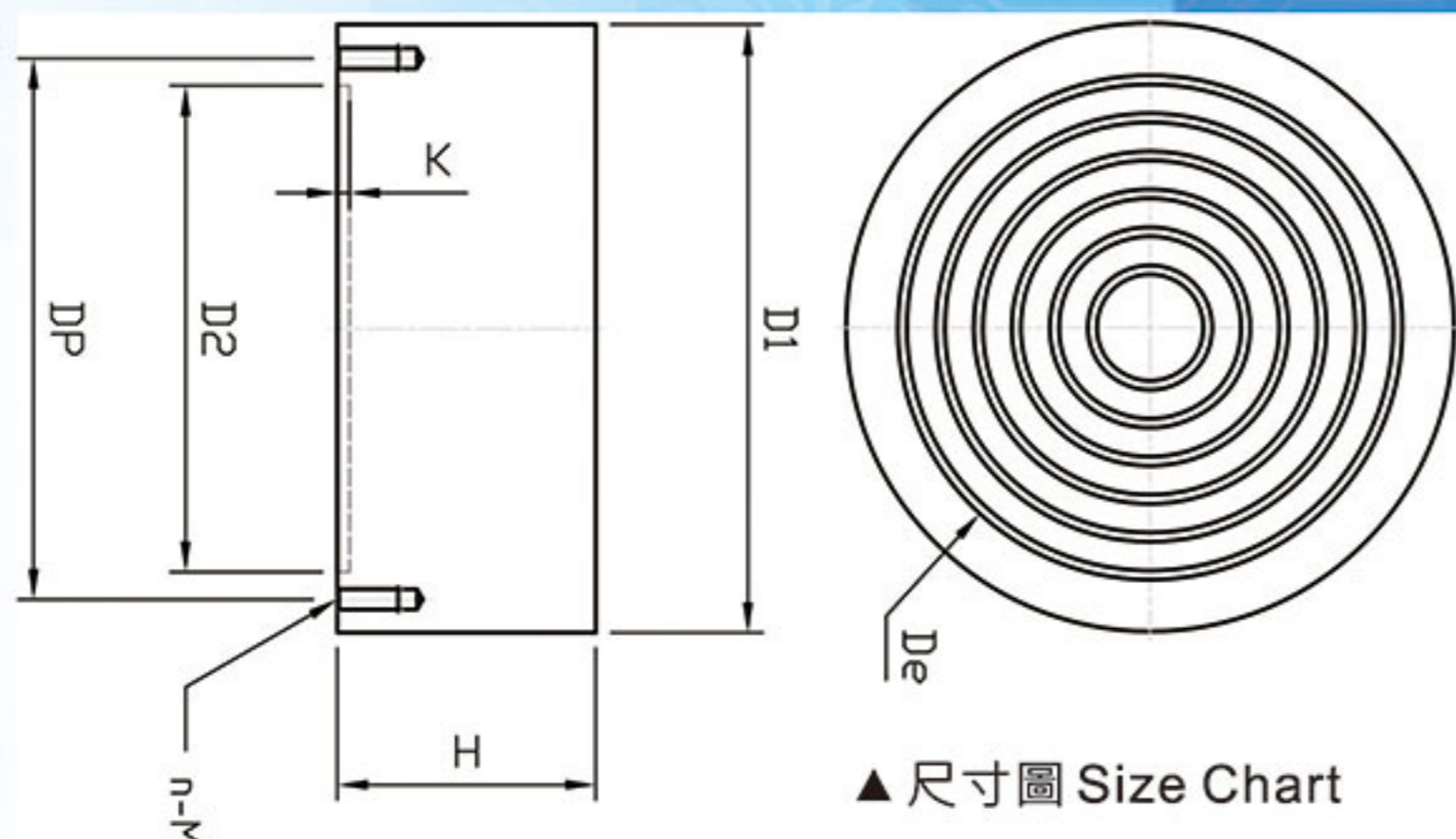


Circular Type Ring Pole Electro-Permanent Magnetic Chuck

KEPT-ARA



用途

專為大型環形工件如承軸...等，由車床、車削、圓柱、旋轉研磨機...等之加工應用。

特性

- 由於幾乎沒有內部溫升產生，因此，能夠達到更高的精度以排除熱變形。
- 可用於濕式操作。

Application

Designed for application processes of large ring shape work piece as bearing, e.t.c., by lathe, turning, cylindrical, rotary grinding machine, e.t.c.

Features

- As almost no internal heat is generated, deformation by heat is eliminated with higher accuracy achieved.
- Responding to wet operation.

規格表 Specification Table

型式 Model	尺寸 Nominal dimension	面 板 Top Plate			磁極間格 pole pitch P	本 體 Bottom Plat					高度 Height H	電壓 Voltage	重量 Weight
		D1	De	de		D2	K	n	M	Dp			
KEPT-ARA20R	200	200	161	35	12(3+9)	160	4	4	M8	178	85	DC220V	20Kg
KEPT-ARA25R	250	250	223	49	12(3+9)	200	4	4	M10	224	85	DC220V	25Kg
KEPT-ARA32R	315	315	271	49	12(3+9)	250	4	4	M10	280	85	DC220V	32Kg
KEPT-ARA40R	400	400	367	49	12(3+9)	315	4	4	M10	355	85	DC220V	40Kg
KEPT-ARA50R	500	500	463	49	12(3+9)	400	4	4	M12	450	85	DC220V	50Kg
KEPT-ARA63R	630	630	583	49	12(3+9)	500	4	4	M12	560	85	DC220V	63Kg
KEPT-ARA80R	800	800	748	70	14(3+11)	630	4	8	M12	710	85	DC220V	80Kg
KEPT-ARA100R	1000	1000	944	70	14(3+11)	800	4	8	M16	900	85	DC220V	100Kg

※永電式夾盤的開關操作應當一次暫停數分鐘，若經常重複開關可能會導致過熱損壞

On/off operation of this EP chuck should be made once in several minutes pauses. If power on/off is repeated frequently, it can cause damage by overheat.

※鐘通工業股份有限公司保有隨技術發展而衍生修改的權利

KANETSU KOGYO CO., LTD. Reserve the right to bring up any modification connected with the technological development.